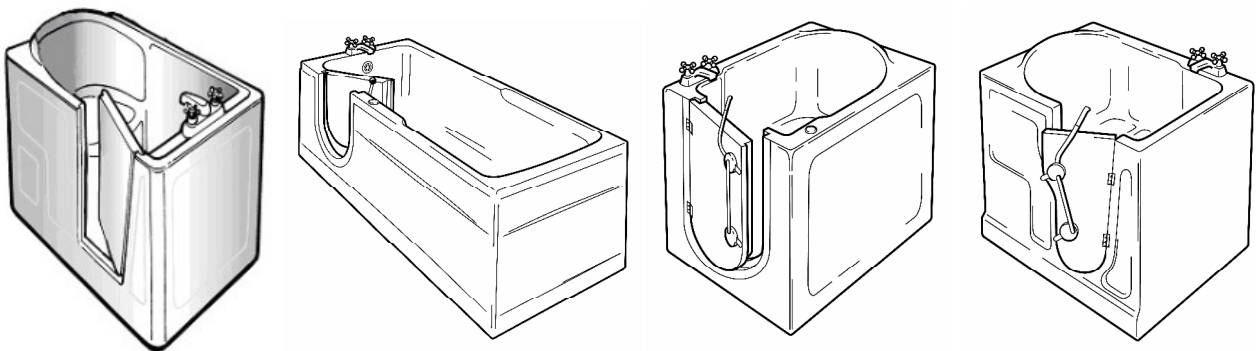




# WALK IN BATH INSTALLATION MANUAL



## **PLEASE READ THROUGH CAREFULLY BEFORE COMMENCING ANY WORK**

1. Carefully remove all packaging and inspect bath thoroughly. **Note:** Do not use sharp knives or instruments to remove packaging around the finished surface areas of the bath. Ensure all component parts are present before commencing work.

### **2. Preparation of bath**

#### **Single drain system**

A standard bath will come complete with a single drainage hole.

Prior to bath installation, the bath drain will need installing. This will either be a standard plug and chains, a pop up waste or a clicker waste.

#### **Double drain system – optional extra**

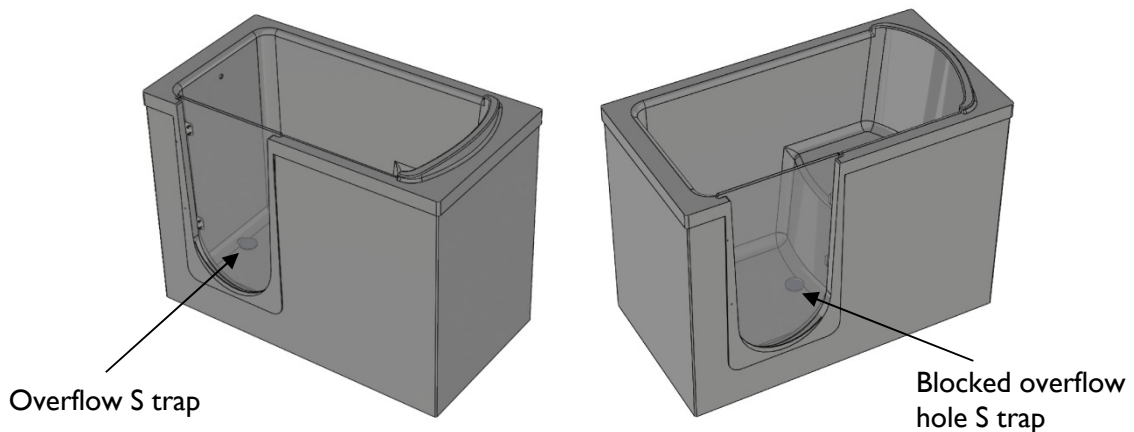
When a double drain system bath is purchased, both drains will need installing prior to bath installation.

The bath will be supplied with 2 x S traps. One of the S traps will come with the overflow entry hole blocked off.

This S trap with the overflow hole blocked off must be fitted nearest to the seat of the bath.

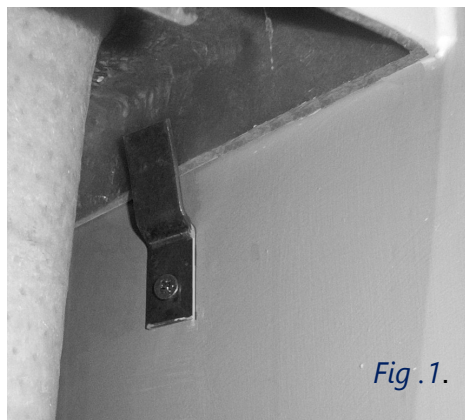
**Note:** incorrect fitting will result in needing a extended overflow pipe.

**Note:** when both waste pipes are plumbed separately increased drainage flow can be expected.



### 3. Preparation of Site

- a) Remove any existing equipment and materials as necessary to prepare the site. Prepare the floor area and ensure it is flat, level and structurally sound.  
**Any movement in the floor could result in the bath door leaking.**
- b) Bring bath into the bathroom and offer it into place. Ensure it is level by adjusting the bath feet accordingly. **Do not fix the bath yet.** It is important to ensure that there is no movement in the floor of the intended position. Once placed in position, mark up for the waste by making a mark through the waste hole in the bath onto the floor. Also mark the floor/walls for the appropriate area for the plumbing feeds to enter the bath area.
- c) Mark the wall to accept the metal wall brackets by placing the bracket against the wall, approximately 50mm in from each corner of the bath top edge so that they are tight against the underside of the bath edge. Fig 1.



- d) Drill wall and fit the metal brackets (supplied) to the wall. Check walls for square and note any discrepancies. These must be overcome either by chasing the bath into the wall or by acceptable methods of filling.
- e) Whilst the bath is in position draw a vertical line directly under the corners of the bath where it is touching the walls. Fig 2. These lines will be used for working out the position of the wooden battens to support the bath panels when they are offered into position. Remove bath from area.
- f) Identify the best position for the taps, mark and drill the bath as needed. Plumb in and run the appropriate waste allowing, where possible, the steepest and shortest fall-away to assist in draining the bath. Run plumbing feeds to under bath.  
These should preferably be tank fed supplies in 22mm pipe. Balanced hot and cold is also a preferred alternative.



- g. If mains cold water needs to be utilised with tank fed hot water it will be necessary to fit an adjustable water pressure reducing valve so that the pressure ratio can be evened up to allow the thermostatic valve to operate correctly.
- h. Ensure that the appropriate Water Safety regulations are followed.

#### 4. Installation

- a. Offer bath into place once again. **Do not force the bath out of square as this will lead to distortion and door leaks.** Place the bath into position, lifting it onto the metal wall brackets and ensuring that the brackets hold it firmly in place.

It is often easier to leave the screws loose whilst placing the bath into the bracket and then tighten the screws after the bath is in place.

It is important at this point, to make sure the feet are securely screwed down to avoid distortion after installation.

We also suggest a bead of silicone sealant is offered to the lip of the Bath to ensure a watertight finish between the wall and the Bath. Prior to Fixing/Sealing, the bath should be filled with water to the overflow to ensure that the maximum downward pressure is exerted on the bath.

Then run a bead of silicone around the edge. Leave the water in the bath for as long as possible to allow the silicone to cure.

- b. Fitting the Thermostatic valve. Fig 3

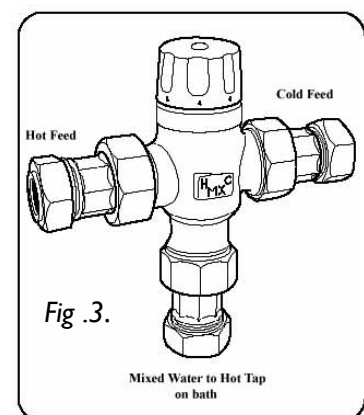
This may be installed in a convenient location and feeds taken to the bath or is often installed in the bath area so that the bath panels conceal it. Run a hot feed to the thermostatic valve and plumb into the port marked 'H'. Repeat for the cold and feed into port marked 'C'.

Take a 22mm feed from the 'Mix' mixed feed and run to the hot tap fitted on the bath. This will mean that when the customer opens the hot tap on the bath that 'mixed' water will run ensuring that they cannot be scalded by hot water only coming out of the hot tap.

Take a 'Tee' off the cold supply before it goes into the thermostatic valve and run this to the cold tap. This allows the customer to draw cold water into the bath, should they so wish.

We recommend that the valve is set to its maximum temperature setting in most cases. This allows the customer to have a hot bath if they wish - with no fear of scalding – but also allows them to cool the bath with cold water by operating the cold tap if they wish. **Please discuss this with the customer before setting the valve to confirm their preference.**

Fit and connect up waste and extended plug and chain.



- d. Fill bath with water and then offer the panels up and trim to suit.

Drill and fix the wooden battens to support the panels using the lines you marked on the wall as an indication as to the fit of the outside edge of the panel.

(Wood size approx. 25mm x 25mm x 450mm). Fig 4.

Do take into account any return edges on the panels.



The panels should push into place and be held in place with the metal spring clips located around the edge of the bath. Ensure there is no build up of fibreglass or other material where the panel clips locate.

A build up in this area will either prevent the clip from gripping the panel or will allow the panel to come loose.

It is preferable to fit the panels when the bath is full of water. This then takes into account the weight of water bearing down so that the panels can be trimmed to the floor. If you fit the panels tight to the floor and then fill the bath with water the pressure bearing down can cause the panels to spring out.

Alternatively ensure a 3mm gap is left between the panel and the floor to allow for downward movement. Each panel needs to then be drilled to accept screws and cover caps to hold the panel against the wall batten. Fig 5.

Silicone can be used to improve the finish between the panels and the wall and bath to ensure there are no unsightly gaps.



## 5. Cosmetic Infill Box

Where a cosmetic infill box has been specified and supplied it can be used to fill in the space left at the end of the bath.

Offer the two pieces up to the opening and cut to size as needed. **Note:** An oversized box wedged into place will have the effect of distorting the bath and thereby increasing the chance of a leak.

Fit battens to the wall and floor to create a 'Frame' for the panels to be fitted to. It is important to also fit a piece of wood where the two panels join. **Note:** The cosmetic box must be fitted to within 25-50mm of the top of the bath to ensure it cannot be mistaken for a seat of where downwards pressure could be applied to it. Drill and secure panels in place with screws and caps and, if needed, finish off edges with silicone sealant.

## 6. Earth Bonding

All metal fittings must be cross-bonded (joined together) to ensure that should electricity be present, it is grounded to earth as quickly as possible. This means that should a bath be replaced then the metal legs of the bath and the hot and cold taps must be cross-bonded. This also applies to any other fittings. Appropriately rated Earth wire should connect every metal fitting and this taken back to the earthing system on the house. If plastic pipe is used then the earth wire needs to be looped back to the copper feeds.

Earth bonding is mandatory whether or not electrical work is carried out. This should be carried out by a qualified electrician and comply with current IEE Regulations.

## Testing

The unit is now completed. Ensure the bath is free from debris. Clean the door and seal with clean soapy water removing any grit or build-up of dirt. Fill tub with water and check for leaks. The bath is now ready for use.

## **FAQ's**

### **Damaged surface**

Should the coloured finished surface of the bath become marked or scratched it is normally possible to rectify quite simply. Firstly, apply 1000/1200 grade wet and dry paper, initially using it dry. After the mark has been reduced, use with soapy water. To restore the finish to the bath, apply a cutting paste such as 'T' cut or Brasso and finally finish off with a silicone based polish such as car wax or 'Mr Sheen'. This is only possible where there is no anti-slip finish, as this will be abraded away if rubbed with wet and dry paper.

Note : Where a glass door option has been chosen, under no circumstances should abrasive material or fluid be used on the glass door!

The glass door should be cleaned using warm soapy water only. Apply this using a soft sponge or cloth. Using abrasive material or fluids on the bath may result in hazing .

Although the glass door is made of special toughened glass, under no circumstances should the door be slammed. Slamming or misuse door may result in damage.

### **WATER SUPPLY**

- a) On tank fed supplies it is sometimes found that the flow rate is poor, resulting in the bath taking an exceptionally long time to fill. This can be improved by removing the check valves fitted in the H and C port of the thermostatic valve. This may only be carried out where the supply tanks are at the same height. A 'booster' pump may also be employed to increase the flow rate. This may be a single or double impeller pump depending on whether just the hot, or both hot and cold water, need to be boosted. On a mains cold water and tank-fed hot supply it is essential to fit a non return (check valve) on the hot water supply. The pump should be fitted as close as possible to the tanks whenever feasible.  
Local Water By-Laws must be followed at all times.

- b) As the bath takes a large volume of water it is usual to increase, whenever possible, the stored temperature of the hot water. This is particularly important for the winter months, as the cold water being mixed is that much colder. Therefore more hot water is needed to allow the correct mixed water temperature to enter the bath. By turning up the temperature of the stored water, less hot water is needed to fill the bath to the same level as would be required by storing it at a cooler temperature.

c) **Water Escapement (Doors)**

Every bath is water tested before it leaves the factory. However, occasionally leaks can occur. Leaks occurring through the door can usually be traced as:

#### **Cause**

#### **Solution**

Distorted Bath

Adjust Wall Brackets / Ensure Bath is not 'Wedged' against walls / Floor is structurally sound. Bath should not be 'pulled' out of square into the walls using screws.

Bath not Level

Level bath as required using the bath feet.

Dirty Door Seal

Wipe Seal and door with clean cloth and soapy water.

Flattened Door Seal

Occasionally a door seal may become temporarily 'flat'. Squeeze seal gently to allow it to return to its usual Circular profile. Do not leave door in locked position when not in use.

Door Loose / not sealing

Check hinges and tighten if needed. Baths with external handles – Adjust the two small nut and bolt on the handle which locate against the two locking latches. Baths with internal or external handles. Adjust the seat support rods or the door in/out adjustment arm next to the door by altering the large nut at the base of the adjuster.